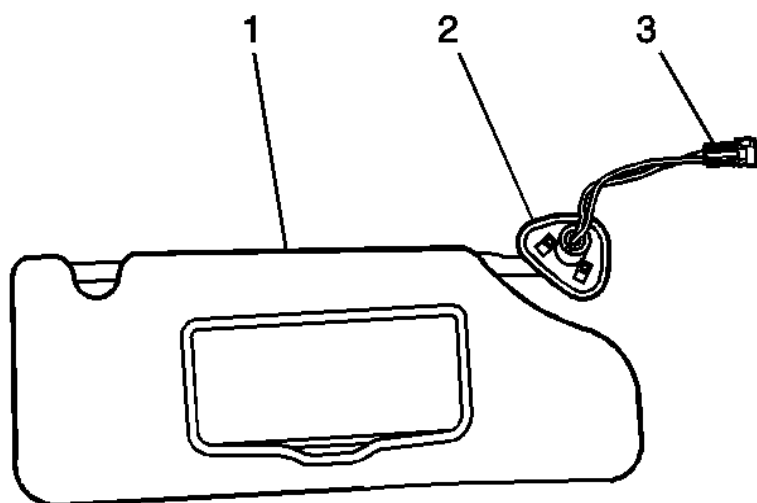


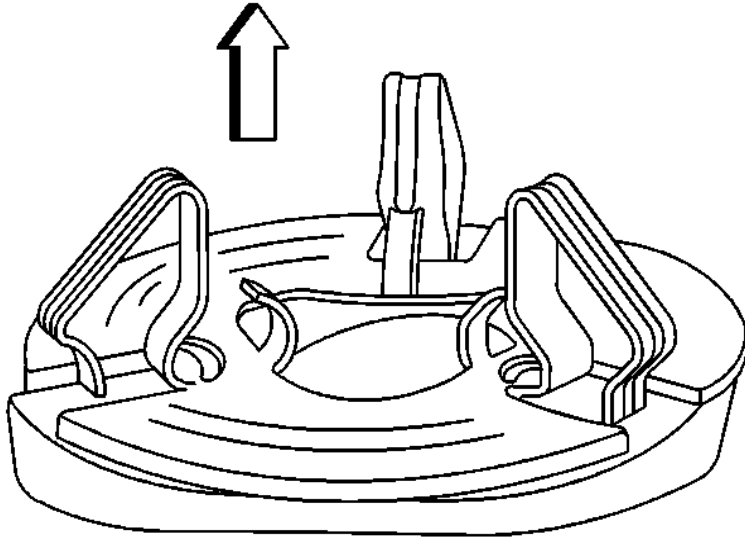
Sunshade Replacement

Removal Procedure

1. Detach the sunshade (1) from the sunshade rod retainer clip.
2. Remove the windshield pillar garnish molding. Refer to [Garnish Molding Replacement - Windshield Pillar](#) .



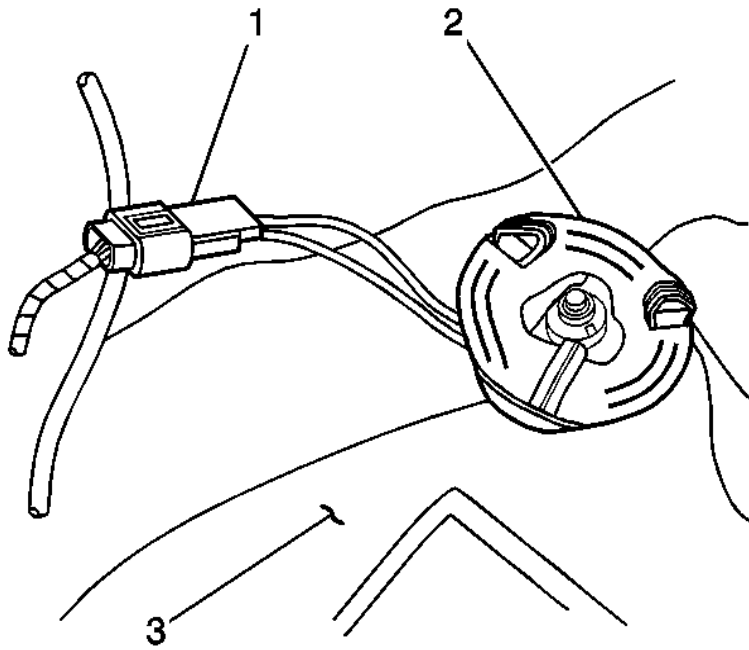
3. Remove the fasteners from the outboard bezel (2).



Important: The sunshade bezel is secure to the roof by means of a two piece plastic retainer and metal integral clip.

4. The plastic retainer will fall out of the headliner (3) when the three fasteners are removed from the bezel.

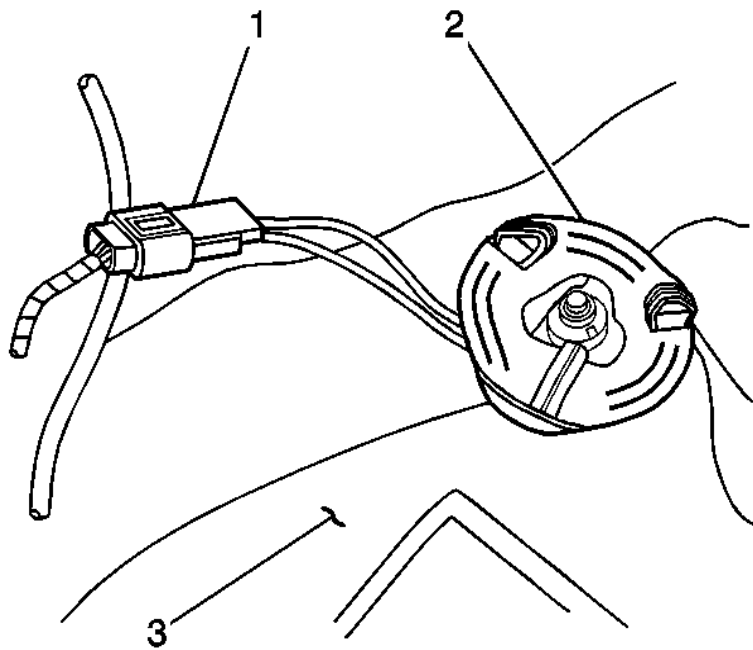
Notice: Use care when removing or installing the headliner. Excessive bending will damage the headliner.



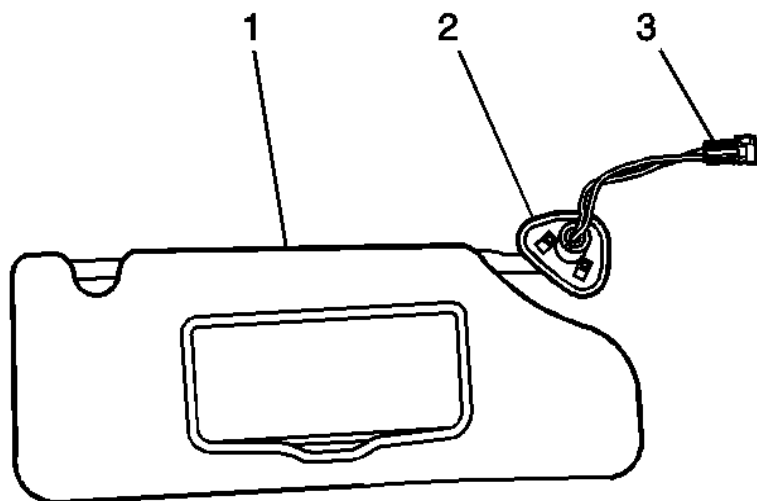
5. Carefully reach inside the headliner until the electrical connector (1) is exposed.
6. Disconnect the electrical connector.
7. Remove the sunshade from the vehicle.

Installation Procedure

1. Position the sunshade to the headliner.



2. Push the electrical connector and the wiring through the hole in the headliner.
3. Connect the electrical connector (1).
4. Position the plastic retainer (2) over the top of the electrical harness.
5. Align the fasteners to the holes in the sunshade metal integral clip (2).



Important: Do not pinch the wiring (3) when you install the fasteners.

Notice: Use the correct fastener in the correct location. Replacement fasteners must be the correct part number for that application. Fasteners requiring replacement or fasteners requiring the use of thread locking compound or sealant are identified in the service procedure. Do not use paints, lubricants, or corrosion inhibitors on fasteners or fastener joint surfaces unless specified. These coatings affect fastener torque and joint clamping force and may damage the fastener. Use the correct tightening sequence and specifications when installing fasteners in order to avoid damage to parts and systems.

6. Install the fasteners that secure the bezel (2) to the headliner.

Tighten

Tighten the fasteners to 2 N·m (18 lb in).

7. Install the windshield pillar garnish molding. Refer to [Garnish Molding Replacement - Windshield Pillar](#) .
8. Secure the sunshade to the sunshade rod retainer.