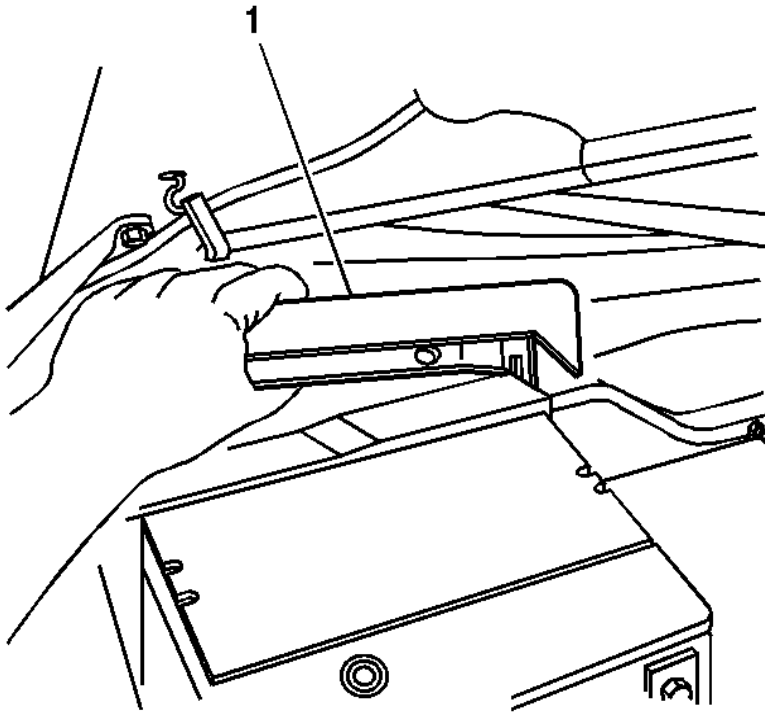


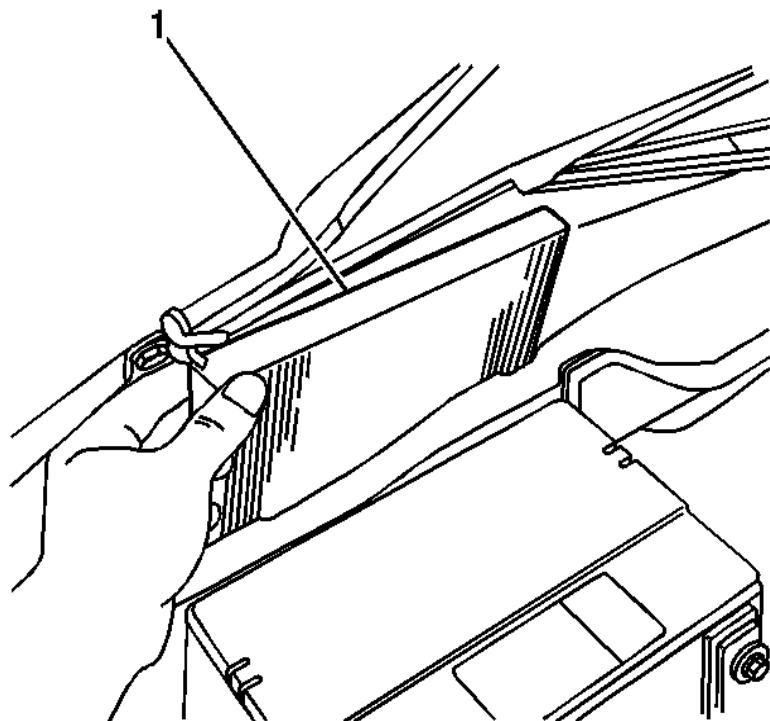
# Passenger Compartment Air Filter Replacement

## Removal Procedure

1. Remove the air inlet grille panel. Refer to [Air Inlet Grille Panel Replacement](#) in Body Front End.
2. With two hands release the tabs on each side of the access cover.

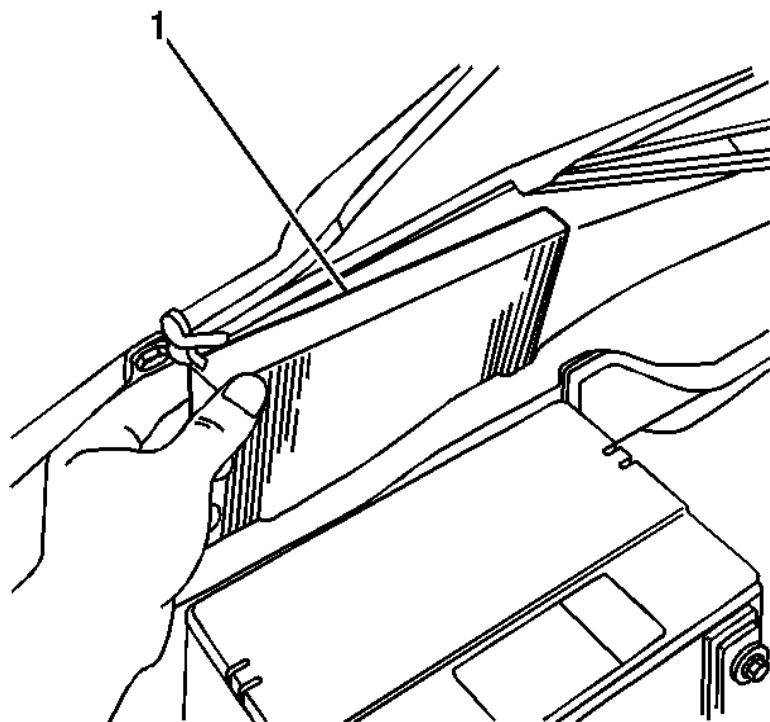


3. Lift up the filter access cover (1).

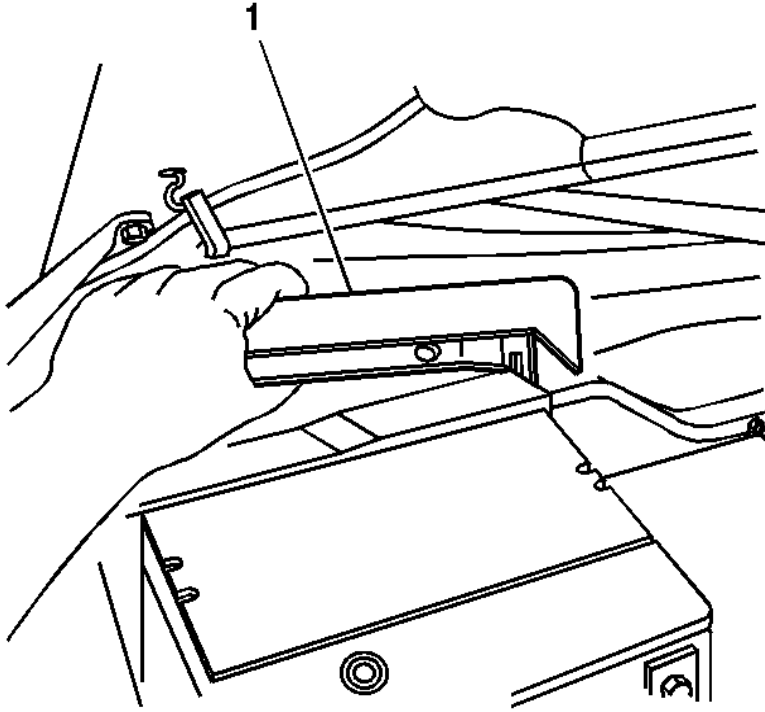


4. Remove the filter (1) from the filter housing.

### Installation Procedure



1. Install the filter (1) in to the filter housing.



2. Install the filter access cover (1).
3. Install the air inlet grille panel. Refer to [Air Inlet Grille Panel Replacement](#) in Body Front End.

---

**Document ID# 801657**  
**2004 Cadillac CTS**